



**Thermo Scientific  
Barnstead MicroPure  
Water Purification Systems**

**smart H<sub>2</sub>O**  
for you, and your science

**Thermo**  
SCIENTIFIC



## APPLICATIONS

### MOLECULAR BIOLOGY AND MICROBIOLOGY

CELL AND TISSUE CULTURE  
PCR, DNA SEQUENCING  
ELECTROPHORESIS

### ANALYTICAL CHEMISTRY

HPLC  
GC, GC-MS, ICP-MS, AA  
TOC MEASUREMENTS, IC

## Thermo Scientific Barnstead MicroPure water purification systems

Thermo Scientific™ Barnstead™ MicroPure™ water purification systems are designed for laboratories that require up to 15 L/day of ultrapure water for HPLC or other instrumental analyses, sample preparation, glassware rinsing, or molecular biology work in which endotoxins and/or nucleases would interfere.

Barnstead MicroPure water purification systems exceed international standards ASTM Type 1, ISO 3696 Grade 1, ASTM D1193 and CLSI-CLRW, delivering ultrapure 18.2 MΩ•cm water with consistent quality.

Quick Look Comparison	MicroPure Standard	MicroPure UV	MicroPure UF	MicroPure UV/UF
Application examples	IC, standard buffer prep	HPLC and ICP-MS	Microbiology, monoclonal antibodies	Molecular biology, PCR, cell culture media
Resistivity at 25°C, MΩ•cm	18.2	18.2	18.2	18.2
Conductivity, μS/cm	0.055	0.055	0.055	0.055
TOC value, ppb	5 - 10	1 - 5	5 - 10	1 - 5
Bacterial content, CFU/ml	<1	<1	<1	<1
Endotoxin, EU/ml:	n.d.	n.d.	n.d.	<0.001
Flow Rate, L/min	1.5	1.5	1	1
Flow Rate, with tank, L/min	1	1	0.8	0.8

Note: n.d. (not determined)



Variable flow control allows for drop-by-drop or quick dispensing.



Quick-connect design allows for easy cartridge change-outs.



MicroPure with integrated reservoir series includes an optional 6 L feed water reservoir for pretreated water storage.

## Smart consumables

- Validated 0.2  $\mu\text{M}$  final filter can be autoclaved up to 5 times
- UV photo-oxidation 185/254 nm reduces organic compounds in the water to ultra-low levels as well as microorganisms and their metabolites with up to a 2-year lifetime. Available on UV systems only
- Internal ultrafilter (UF) is flushed automatically and has a large surface area designed to ensure the highest retention of endotoxins and nucleases, and allows for up to a 2-year lifetime. Available on UF systems only

## Easy-to-operate

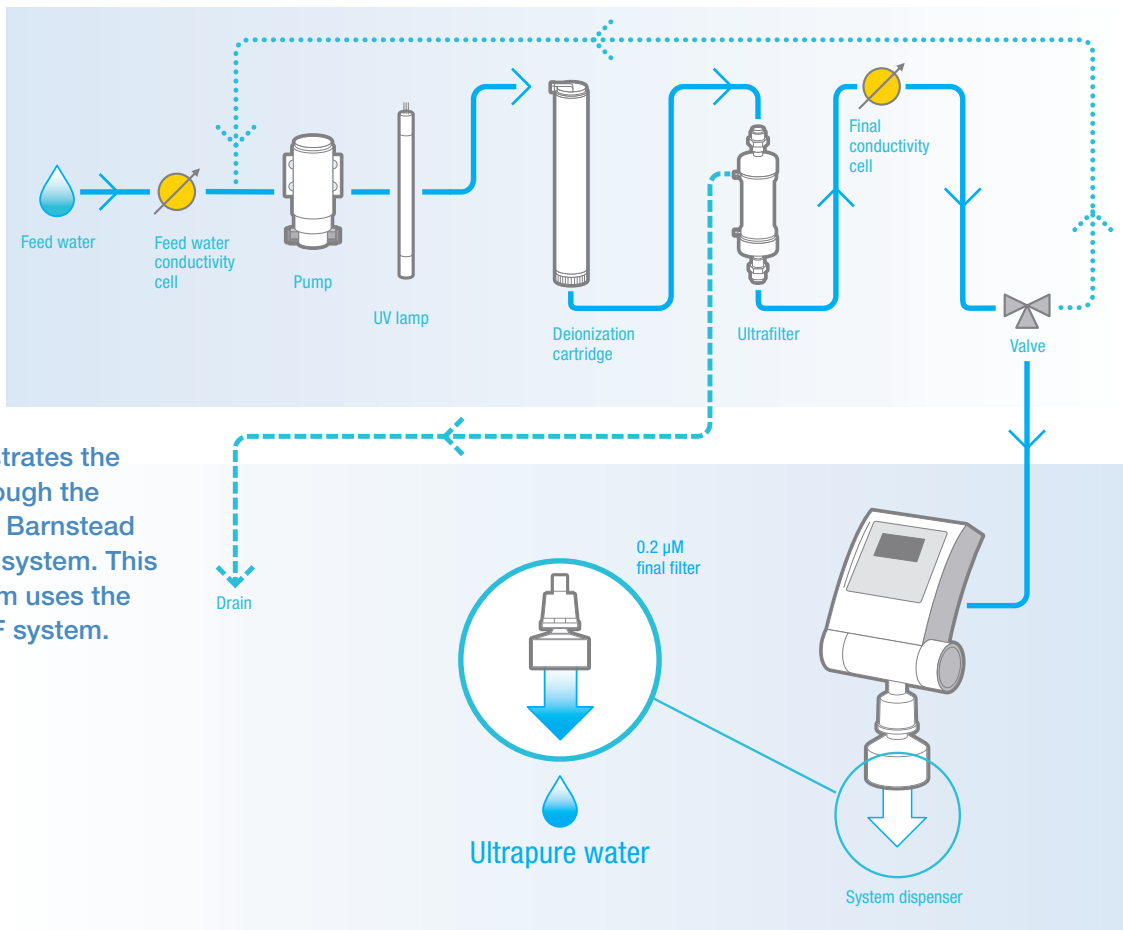
- Dispensing is easy and features variable speed controlled flow
- Display can be tilted for optimal reading

## Extra monitoring

- Standard feed water monitor supports consistent water quality and longer cartridge service life
- Recirculation pump prevents bacterial growth during standstill allowing for constant monitoring of all system functions, and for the immediate display of fault messages if a problem is detected

## MicroPure with integrated 6 L reservoir

- Optional integrated 6 L feed water reservoir so you can place the system without direct access to a water line
- Constructed with pigment-free materials
- Conical bottom outlet allows for complete draining and efficient cleaning and disinfection



The diagram illustrates the flow of water through the components of a Barnstead MicroPure water system. This particular diagram uses the MicroPure UV/UF system.





## specifications

Dimensions	MicroPure	MicroPure with tank
Product Dimensions, H x W x D, mm (in)	545 x 305 x 300 (22 x 12 x 12)	545 x 305 x 390 (22 x 12 x 15.5)
Product Weight, kg (lbs)	15 (33)	17 (37)
Shipping Dimensions, H x W x D, mm (in)	706 x 455 x 430 (28 x 18 x 17)	706 x 455 x 430 (28 x 18 x 17)
Shipping Weight, kg (lbs)	20 (44)	22 (48)

Required feed water quality	
Source	RO, DI or distilled water
Resistivity, M $\Omega$ -cm	>0.2
Conductivity, $\mu$ s/cm	<5
Turbidity, NTU	< 1.0
TOC, ppb	max. 50
Temperature, $^{\circ}$ C	2 - 35
Pressure, psi (bar)	1.4 - 87 (1 - 6)

## ordering information

MicroPure System Options		MicroPure	MicroPure UV	MicroPure UF	MicroPure UV/UF
All systems include an ultrapure polisher cartridge, sterile 0.2 $\mu$ M filter and pressure regulator. UV lamp and/or ultra-filter also included on applicable units.	Line fed units	50132366	50132373	50132368	50132370
	Includes integrated 6L feed tank	50132367	50132374	50132369	50132372
Optional Accessories					
<b>Wall mounting bracket</b>				09.2212	
<b>Printer</b> Utilizes RS 232 interface. For safe documentation of all measured values and faults with date and time in compliance with GLP-Guidelines.	120V, 50/60Hz		AY1137X1		
	230V, 50Hz		09.2207		
Disinfection cartridge			09.1102		
Replacement Consumables					
<b>Ultrapure polisher cartridge</b>			09.1006		
<b>Sterile filter, 0.2 <math>\mu</math>m</b>			09.1003		
<b>Ultrafilter</b>		n/a	n/a	50133981	50133981
<b>UV lamp</b>		n/a	09.1002	n/a	09.1002
<b>Cleaning solution</b>	Europe/Asia Pacific		09.2202		
	North and South America		CMX25		
<b>Sterile vent filter, for MicroPure with integrated tank only</b>			22.0091		
<b>Sterile overflow, for MicroPure with integrated tank only</b>			15.0009		

[thermoscientific.com/purewater](http://thermoscientific.com/purewater)



© 2014 Thermo Fisher Scientific Inc. All rights reserved. All (other) trademarks are the property of Thermo Fisher Scientific Inc. and its subsidiaries. Specifications, terms and pricing are subject to change. Not all products are available in all countries. Please consult your local sales representative for details.

**Australia** +61 39757 4300  
**Austria** +43 1 801 40 0  
**Belgium** +32 53 73 42 41  
**China** +800 810 5118 or  
+400 650 5118  
**France** +33 2 2803 2180  
**Germany national toll free** 0800 1 536 376  
**Germany international** +49 6184 90 6000

**India toll free** 1800 22 8374  
**India** +91 22 6716 2200  
**Italy** +32 02 95059 552  
**Japan** +81 3 5826 1616  
**Netherlands** +31 76 579 55 55  
**New Zealand** +64 9 980 6700  
**Nordic/Baltic/CIS countries**  
+358 9 329 10200

**Russia** +7 812 703 42 15  
**Spain/Portugal** +34 93 223 09 18  
**Switzerland** +41 44 454 12 22  
**UK/Ireland** +44 870 609 9203  
**USA/Canada** +1 866 984 3766

**Other Asian countries** +852 2885 4613  
**Countries not listed** +49 6184 90 6000

**Thermo**  
**SCIENTIFIC**

A Thermo Fisher Scientific Brand